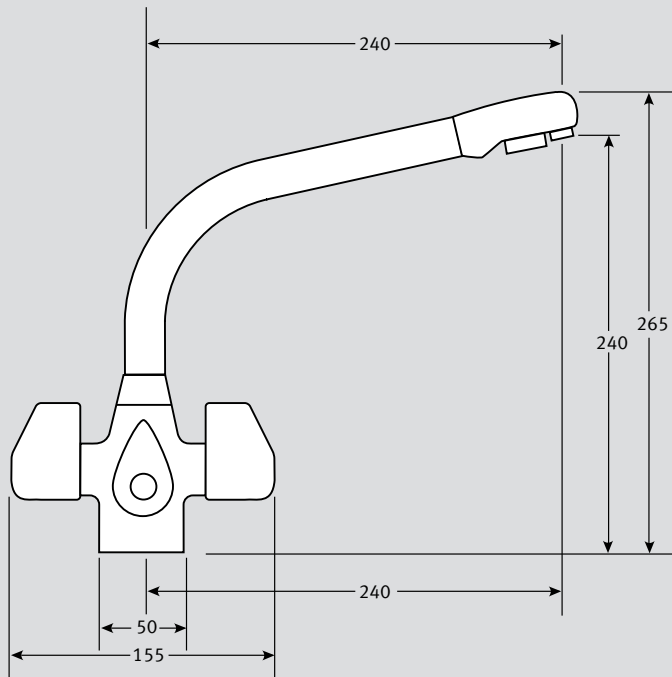


Moderne Specifications

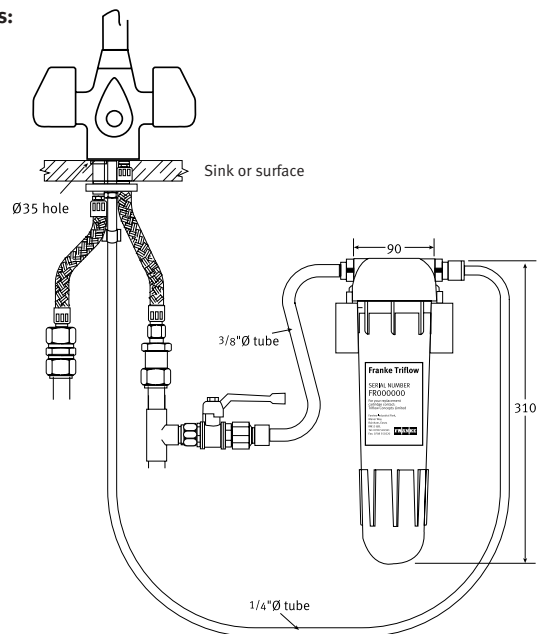
- 3 Handled Quarter turn mixer
- Provides Hot, Cold and Purified water from a single mixer
- Dedicated handle and spout outlet for purified water
- Includes an integrated Filter System
- Exceptional Filtration capability
- Machined brass body
- Biflow spout
- Meets all certification approval requirements
- Attractive design
- Compatible with most Franke sinks
- Requires 35mm tap hole
- Fully guaranteed with nationwide servicing*



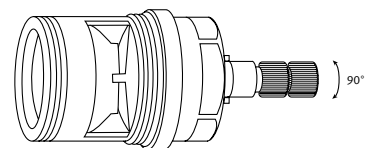
| | | |
|---|---|--------|
| Material: | Solid brass machined body and tubular brass spout | |
| Type: | Quarter turn mixer | |
| Spout: | Biflow tubular spout with bayonet and screw fitting | |
| Tails: | Flexi tails | |
| Tap Height: | 240 (overall tap height 265) | |
| Spout Reach: | 240 | |
| Handle Width: | 155 | |
| Colours: | Chrome, White, Champagne or Brown | |
| Maximum Water Pressure: | 75 PSI (5 bar) | |
| Maximum hot-water Temperature: | 70°C | |
| Recommended hot water Temperature: | 65°C | |
| Guarantee:- | Ceramic disc: | 5 year |
| | Surface: | 1 year |
| Joints: | It is recommended that compression fittings are used to link the tap to the supply. | |

Some taps may require bracing to avoid flexing of the sink ledge.

Tails:



Valve Mechanism: (x3)



*Avilion: 01708 526361

All Franke taps are designed to conform with Water Research Council requirements

NB. Ceramic disc taps in certain installations or where there is a low head of water (below 4 metres) may not provide adequate flow rates. You are advised to check with your supplier.